

Gahanna Primary Care

504 Havens Corner Rd

Blacklick, Ohio

Architect Carney Ranker Architects 5980 Wilcox Pl Dublin, OH 43016 614.792.1000	Casework Contractor	General Contractor
Approval Stamp		Approval Stamp
<p>By this submittal we represent we have reviews the information contained herein and have verified materials and have coordinated the information contained in this submittal with the requirements if Specialty Services Cabinetry, Inc scope of work.</p> <p style="text-align: center;"> General Contractor _____ Date _____ </p> <p>ADA requirements note that these submittals only reflect and interpret casework that has been designed of the architectural drawings for this project. They do not in any way represent a compliance with ADA requirements for dimensions, height, clearance, access, sinks, fixtures, hardware or other items not mentioned. Proposed manufacturers do offer options that allow compliance, but our scope of work does not interpret the architect's intents compliance of casework or for overall design and compliance.</p>		
		Drawn By: <u>Shodrawingz.com</u> Date: <u>04-14-2011</u> Page: _____
		C1

General Notes

Note:

1. All countertops (unless otherwise noted on elevations) shall be provided by Specialty Service Cabinetry, Inc.
2. All casework dimensions will be verified for and conditions that would require size changes or for any items that interfere with the casework as drawn in or elevations. All changes and dimensions due to field dimensions will be incorporated into "as-built" drawings, cabinet sizes will change at our discretion.
3. The following items shall be by others (unless noted otherwise)
 - a. Vinyl Base
 - b. Sinks
 - c. Sink Fixtures
 - d. Electrical Fixtures
 - e. Light Fixtures
 - f. Gas or Air Fixtures
 - g. Apparatus Assemblies
 - h.
 - i.
4. See submittals for details on all mechanical, electrical and plumbing final connections to be by others and coordinated with the individual trades, all sinks by others unless otherwise noted.
5. Countertop with finished ends are indicated by:
 - f. NFE or Blank = No Finished End
 - k. FRE = Finished Right End
 - l. FLE = Finished Left End
 - m. FBE = Finished Both Ends
 - n. DE = Drop Edge
 - o. SBU = Solid Build Up
 - p. SE = Self Edge
6. Cabinets with finished ends are indicated by:
 - n. FE = Finished End
7. FV = Field Verify
8. Equipment shown with dashed lines is for reference only. They are not intended to be show installation locations. Please contact Specialty Service Cabinetry, Inc for specific items and locations. The dealer shall be responsible for all clearances.
9. Items drawn and detailed are drawn as reference only. For complete description of inclusions and exclusions see bid scope work.

Printes Issued:

Date: Reason Issued: By: Checked By:

Project Information:

Tentative delivery currently is set for the week of:

Please note information required to order material is due by the following date:

Please note all field checks shall be submitted by the following date:

Project Notes:

Project:
Gahanna Primary Care
 504 Havens Corner Rd
 Blacklick, Ohio

Revisions:

Drawn By:
 Shopdr-cw@ingz.com
 Date:
 04-14-2011

Page:

Casework Specs

- Carcass Construction
 - ¾" particle board with VGS high pressure plastic laminate exterior surfaces and melamine interior surfaces
- Base Cabinets
 - Sides, rails and bottoms to be ¾" melamine cover particle board. Glued, stapled and screwed together. Back panels to be ½" melamine covered particle board applied with glue, staples and screws. Cabinet bases to be ¾" particle board with center supports and to be shipped loose. Exterior exposed edges to be edged with matching 0.018" PVC.
- Wall Cabinets
 - Sides and bottoms to be ¾" melamine cover particle board. Glued, stapled and screwed together. Back panels to be ½" melamine covered particle board applied with glue, staples and screws. Exterior exposed edges to be edged with matching 0.018" PVC.
- Adjustable Shelves
 - Shelves to be ¾" melamine cover particle board. Shelves to be mounted on clear plastic shelf clips set into 5mm system holes at 32mm apart. Front edge of shelf to be covered with 1mm PVC matching edge tape.
- Door and Drawer Fronts
 - Flush overlay construction with VDS high pressure plastic laminate in exterior face and 3mm PVC on exposed edges. Interior surface to be melamine
- Drawers
 - Drawer box sides, front, bottom and back to be ½" melamine covered particle board.
- Hinges
 - 120 degree full overlay euro
- Drawer Slides
 - Blum Metabox 320 with ½" White Melamine Bottom and Back
- Handles
 - 4" wire with dull chrome finish
- Locks
 - Chrome National Tubler Lock
- Plan Countertops
 - Solid Core 1-5/8" Partial Board with hgs high pressure plastic laminate exterior surfaces. buildup on front of countertop to be 1 1/2" unless otherwise specified. back and side splashes to be made of 3/4" particle board unless otherwise specified w/ hgs high pressure plastic laminate on all exposed surfaces. see details for back splash height. where countertop has apron: apron to made of 3/4" particle board with hgs high pressure plastic laminate on all exposed areas, and frame to be made of 2 layers of 3/4" shop grade plywood for support
- plan countertops
 - 1/2" solid surface with matte finish unless otherwise specified. buildup on front of countertop to be 1 1/2" unless otherwise specified. 1" plywood substrate to be applied to bottom w/ 100% silicon. back and side splashes to be made of 1/2" solid surface unless otherwise specified w/ matte finish on all exposed surfaces. see details for back splash height. where countertop has apron: apron to made of 1/2" solid surface with matte finish on all exposed areas, and frame to be made of 2 layers of 3/4" shop grade plywood for support. all exposed edge corners to be rounded over w/ 1/8" radius unless other wise specified

Material Color	Material Application	Material Color	Material Application
PL1 For. 7022-58 Natural Canvas	Countertop (See Plan For Location)	M1 White Melamine	Cabinet Interior
PL2 WA Tuscan Walnut 7921-38	Cabinet Exterior	EB1 3mm PVC to Match PL1	Cabinet Exterior Edge
SS1 Corian "Aurora"	Countertop (See Plan For Location)	EB2 Dollken 3mm 2148 Haze	Plan Countertop Edge

Project: Gahanna Primary Care
504 Havens Corner Rd
Blacklick, Ohio

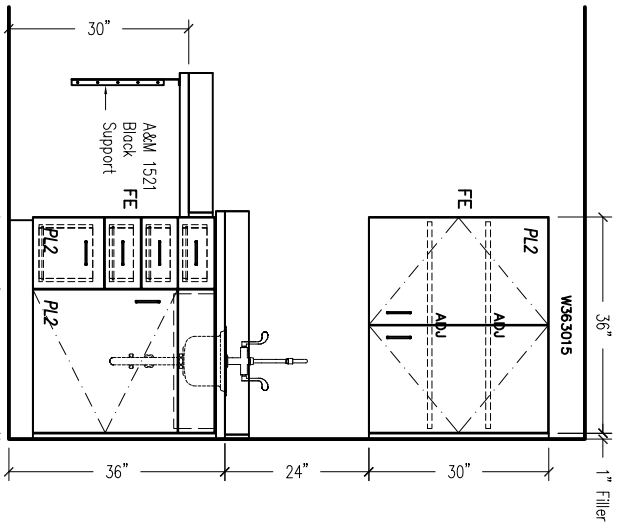
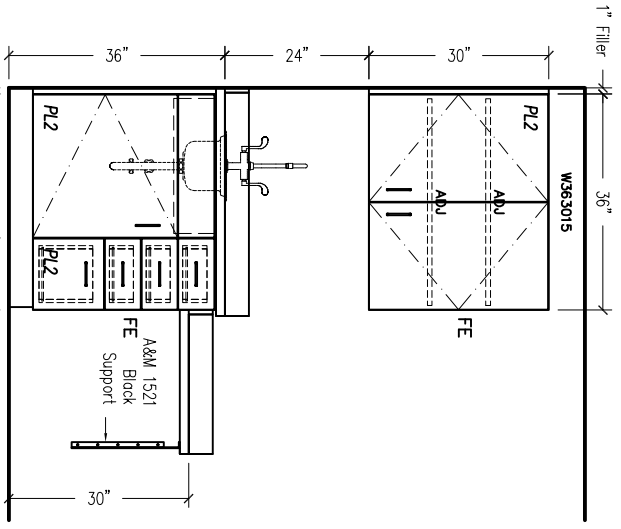
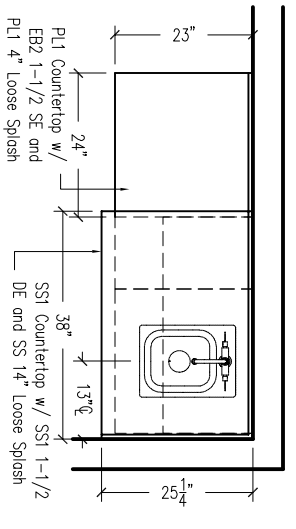
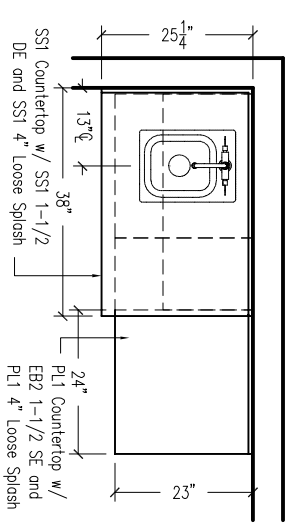
Revisions:

Drawn By: Shopdr-cw@ingz.com

Date: 04-14-2011

Page:





- 1 Exam Type
Arch Detail J/AL1.04
- | | |
|-------|--------|
| Rooms | 1, 102 |
| | 2, 103 |
| | 3, 105 |
| | 4, 111 |
| | 5, 113 |
| | 6, 122 |
| | 7, 123 |
| | 8, 129 |

- 2 Exam Type
Arch Detail J/AL1.04
- | | |
|-------|--------|
| Rooms | 1, 104 |
| | 2, 109 |
| | 3, 110 |
| | 4, 121 |
| | 5, 128 |
| | 6, 130 |
| | 7, 131 |

See Architects Drawings for Room Locations

Project:
Gahanna Primary Care
 504 Havens Corner Rd
 Blacklick, Ohio

Revisions:

Drawn By:
 Shepdrwngz.com

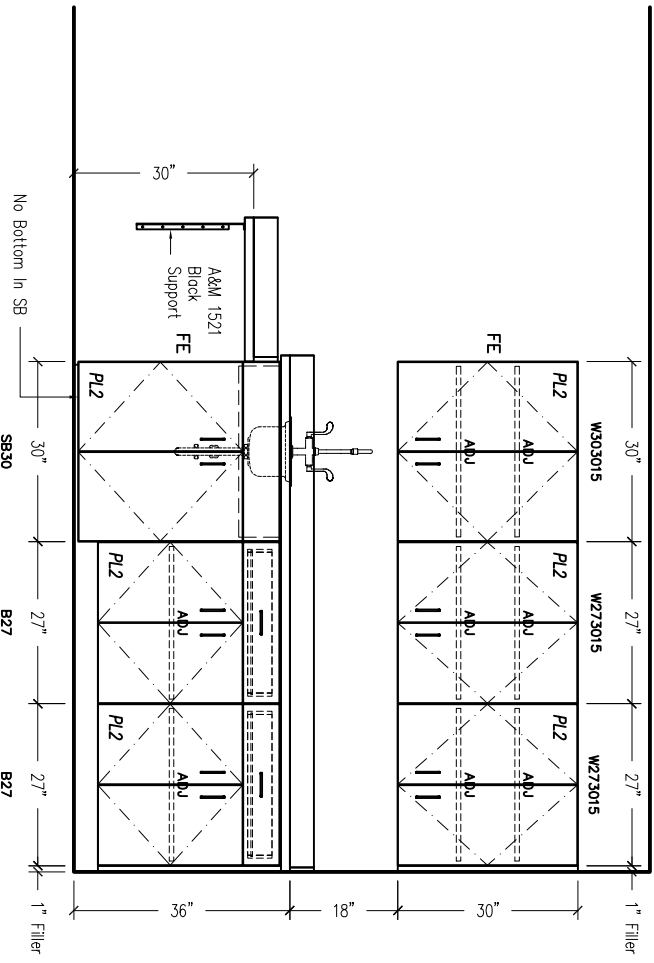
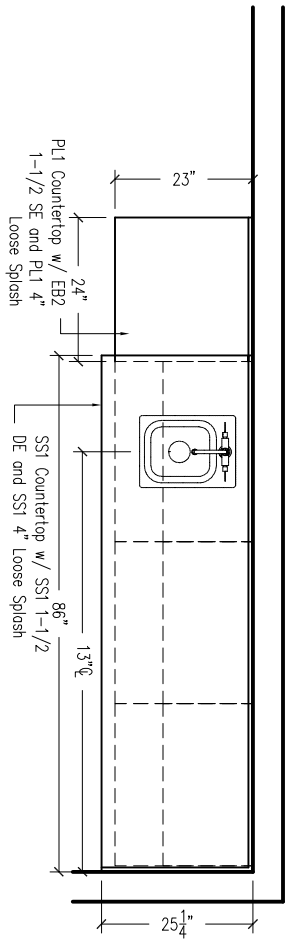
Date:
 04-14-2011

Scale:
 See Drawing

Elev:
 See Drawing

Room No:
 See Drawing

Page:



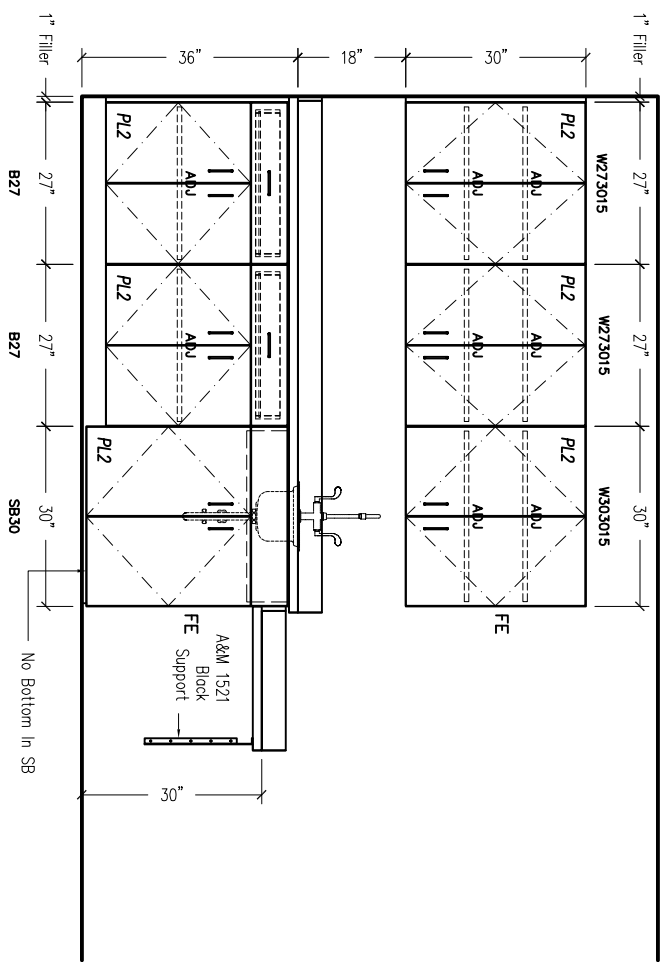
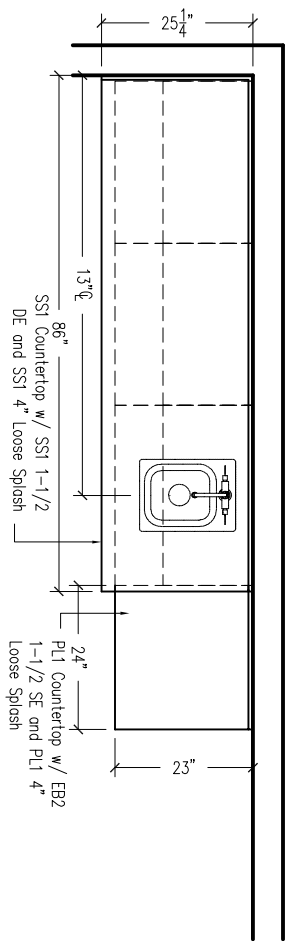
3 Procedure 112
Arch Detail H/A1.04

See Architects Drawings for Room Locations

Project:
Gahanna Primary Care
504 Havens Corner Rd
Blacklick, Ohio

Revisions:
Drawn By: Shopdrwngz.com
Date: 04-14-2011
Scale: See Drawing
Elev: See Drawing
Room No: See Drawing
Page:

A2



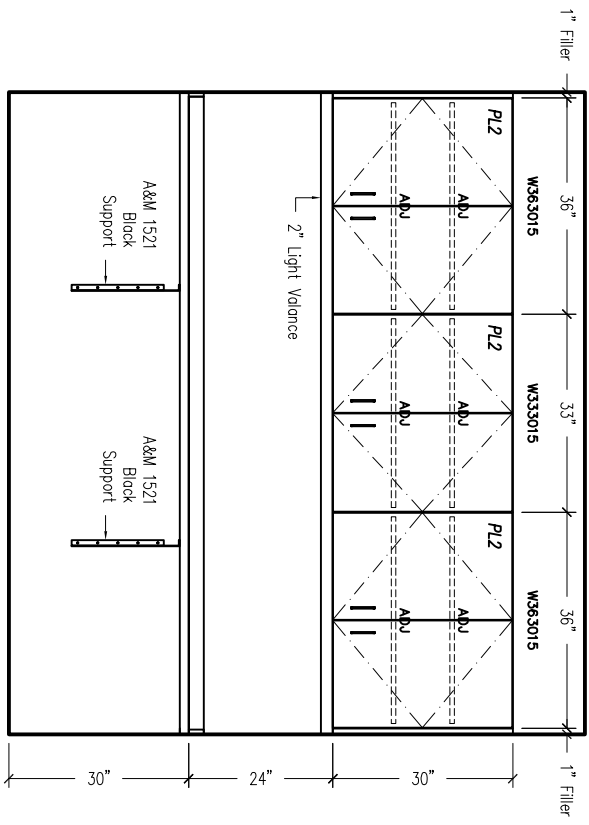
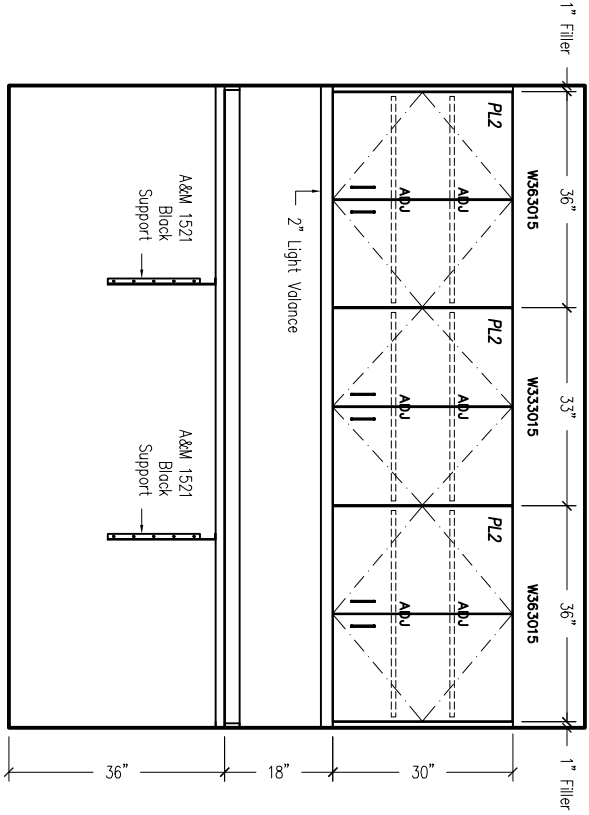
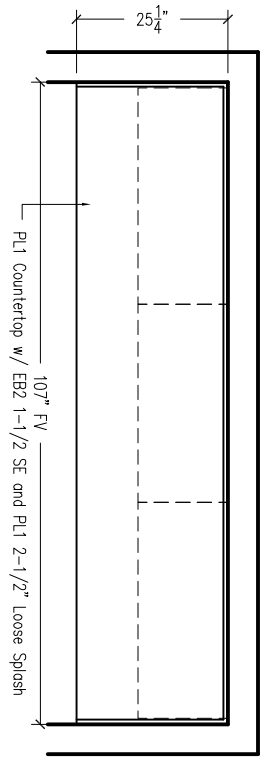
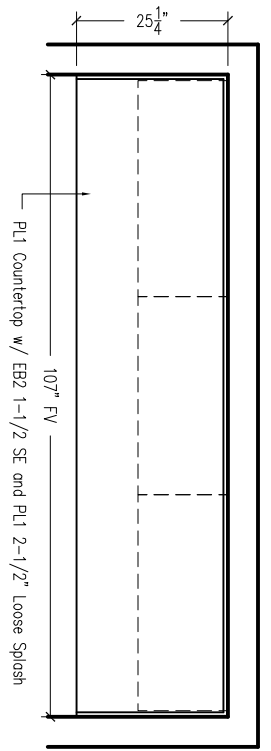
5 Procedure 120
Arch Detail H/A1.04

See Architects Drawings for Room Locations

Project:
Gahanna Primary Care
504 Havens Corner Rd
Blacklick, Ohio

Revisions:	
Drawn By:	Shopdrwingz.com
Date:	04-14-2011
Scale:	See Drawing
Elev:	See Drawing
Room No:	See Drawing
Page:	

A4



6 MA 118 (North Wall)
Arch Detail L/A1.04

7 MA 118 (South Wall)
Arch Detail W/A1.04

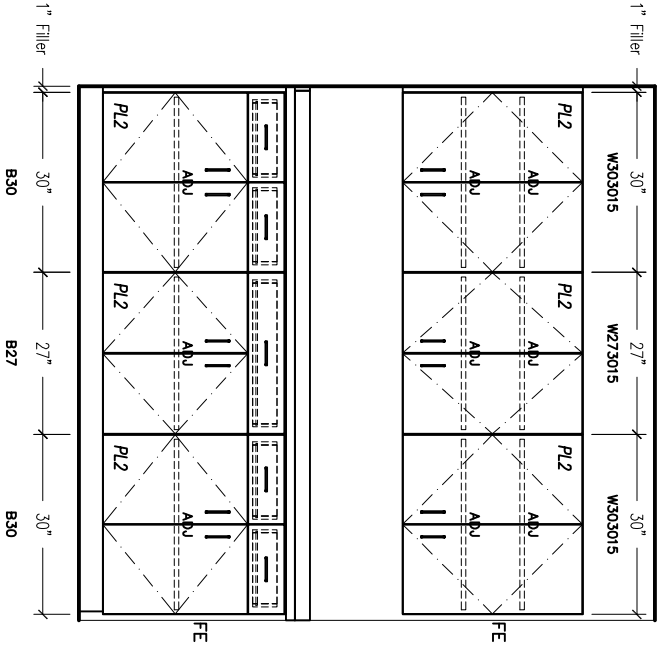
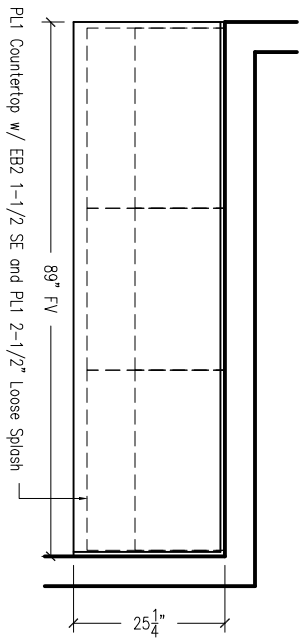
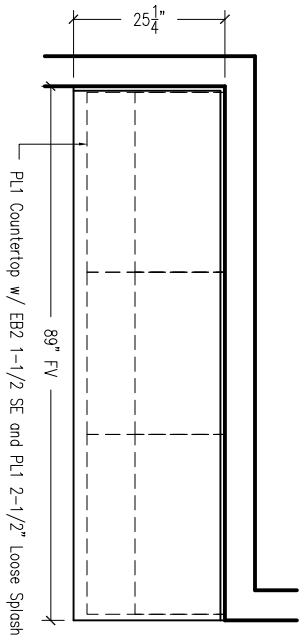
See Architects Drawings for Room Locations

Project:
Gahanna Primary Care
504 Havens Corner Rd
Blacklick, Ohio

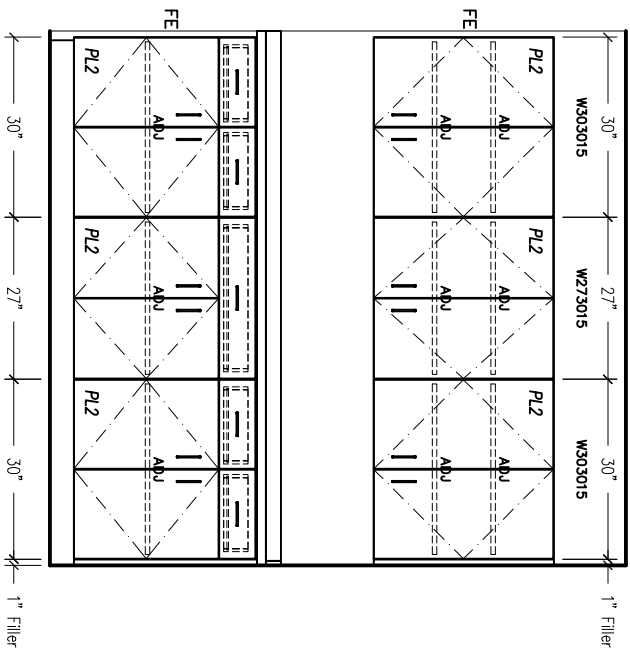
Revisions:

Drawn By:	Shopdrwingz.com
Date:	04-14-2011
Scale:	See Drawing
Elev:	See Drawing
Room No:	See Drawing
Page:	

A5



8 MA 118 (North Wall)
Arch Detail N/A1.04

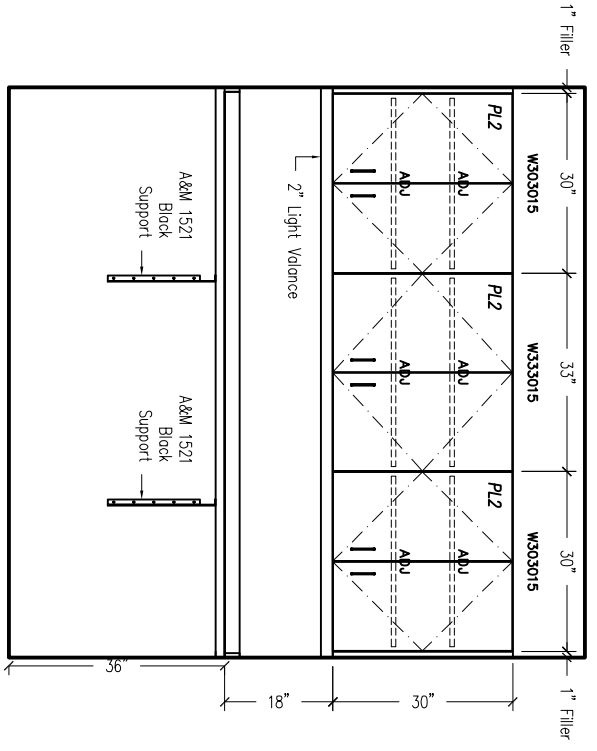
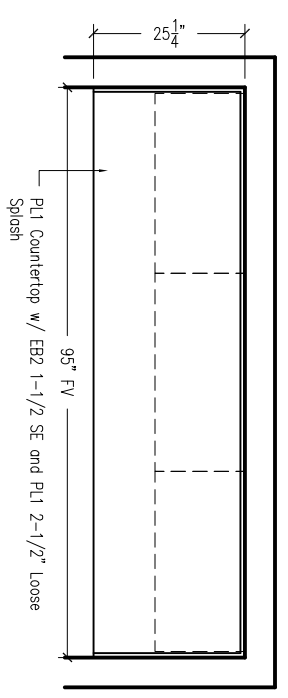


9 MA 118 (South Wall)
Arch Detail N/A1.04

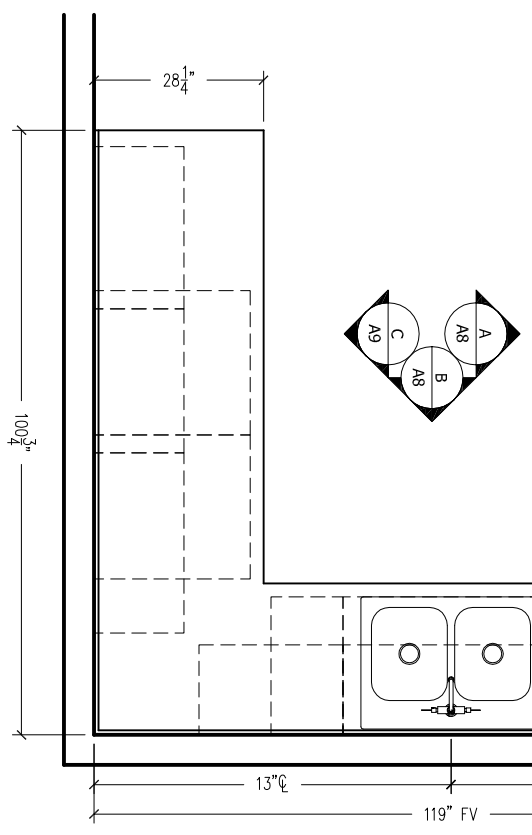
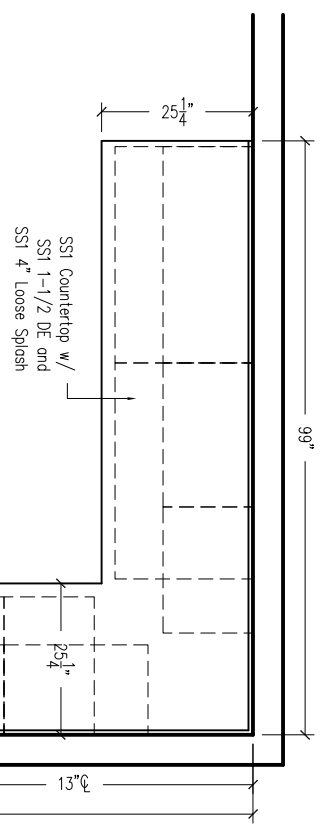
Project:
Gahanna Primary Care
504 Havens Corner Rd
Blacklick, Ohio

Revisions:

Drawn By: Shopdrwngz.com
Date: 04-14-2011
Scale: See Drawing
Elev: See Drawing
Room No: See Drawing
Page:



10 MA 107 Arch Detail K/A1.04

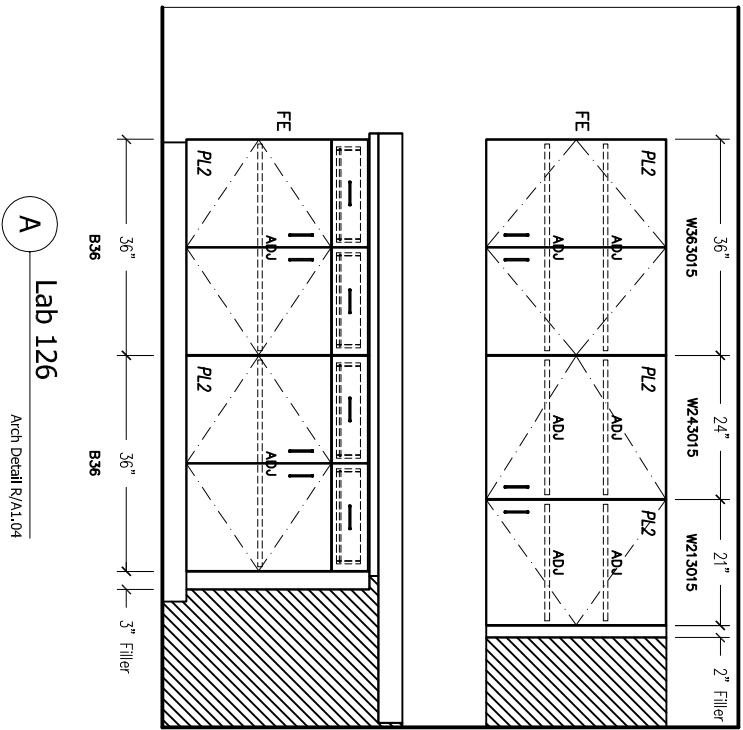


11 Lab 126 Arch Detail P, Q & R/A1.04

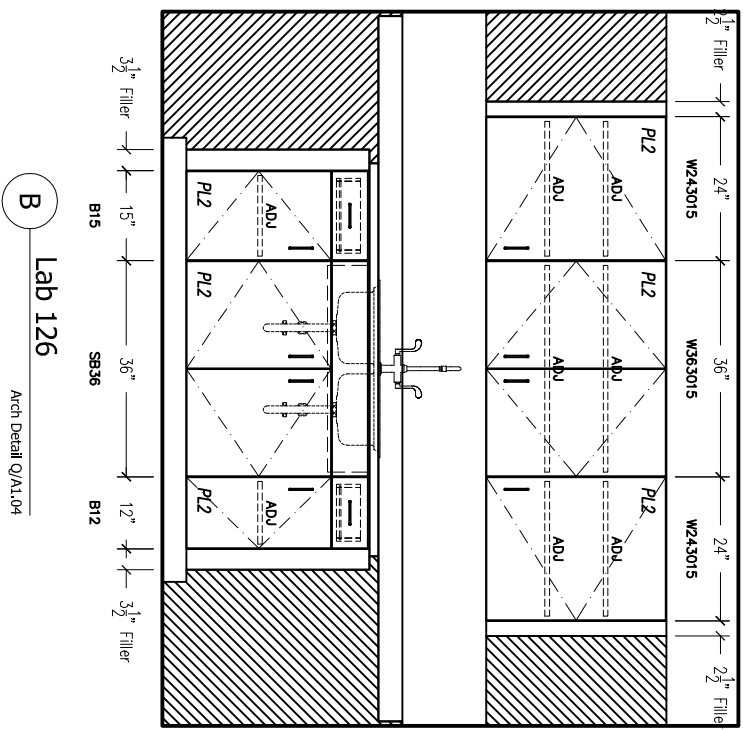
See Architects Drawings for Room Locations

Project:
Gahanna Primary Care
 504 Havens Corner Rd
 Blacklick, Ohio

Revisions:
 Drawn By: Shopdrwingz.com
 Date: 04-14-2011
 Scale: See Drawing
 Elev: See Drawing
 Room No: See Drawing
 Page:



A Lab 126
Arch Detail R/A1.04

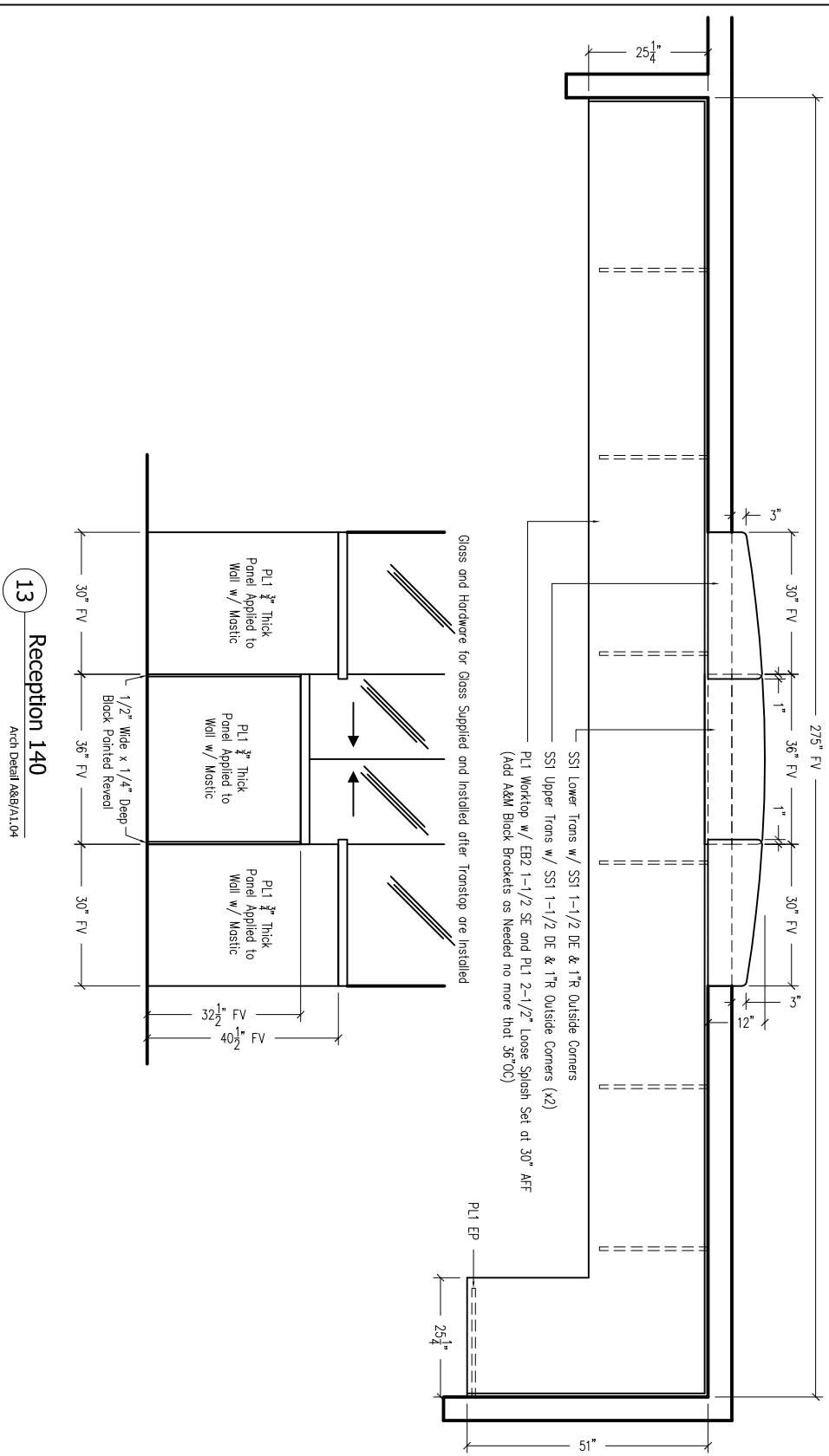


B Lab 126
Arch Detail Q/A1.04

See Architects Drawings for Room Locations

Project:
Gahanna Primary Care
504 Havens Corner Rd
Blacklick, Ohio

Revisions:
Drawn By: Shopdrwingz.com
Date: 04-14-2011
Scale: See Drawing
Elev: See Drawing
Room No: See Drawing
Page:



13 Reception 140
Arch Detail A88/AL.04

See Architects Drawings for Room Locations

Project:
Gahanna Primary Care
504 Havens Corner Rd
Blacklick, Ohio

Revisions:

Drawn By: Shopdrawingz.com

Date: 04-14-2011

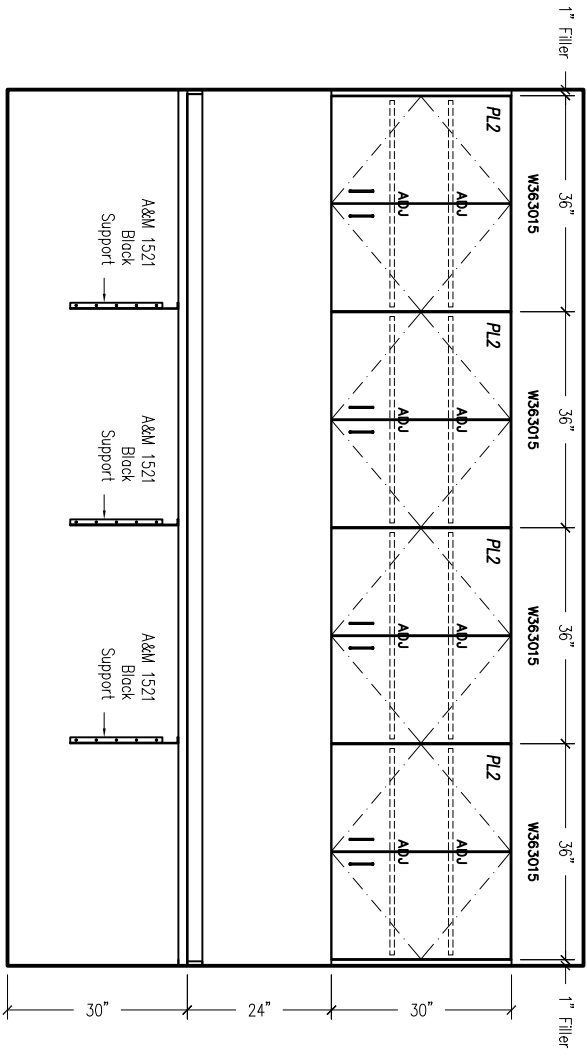
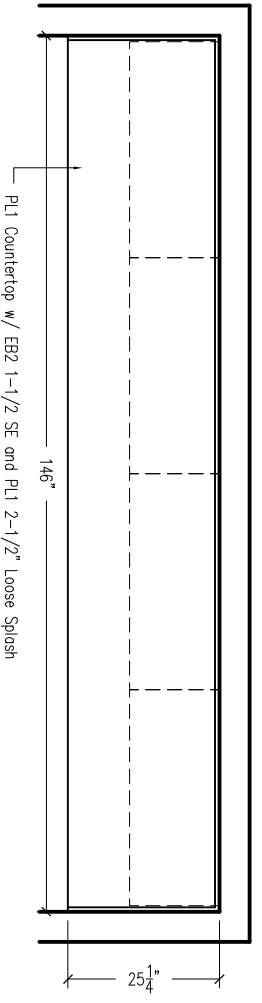
Scale: See Drawing

Elev: See Drawing

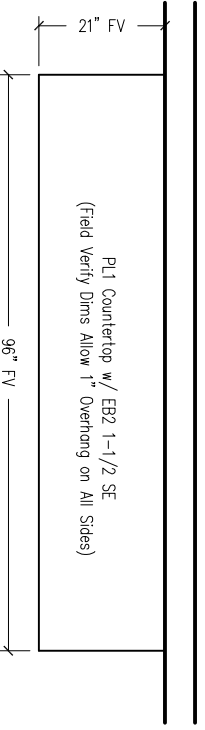
Room No: See Drawing

Page:

A10



14 Reception 140
Arch Detail B/A1.04



15 Reception 140
Arch Plan A1.01

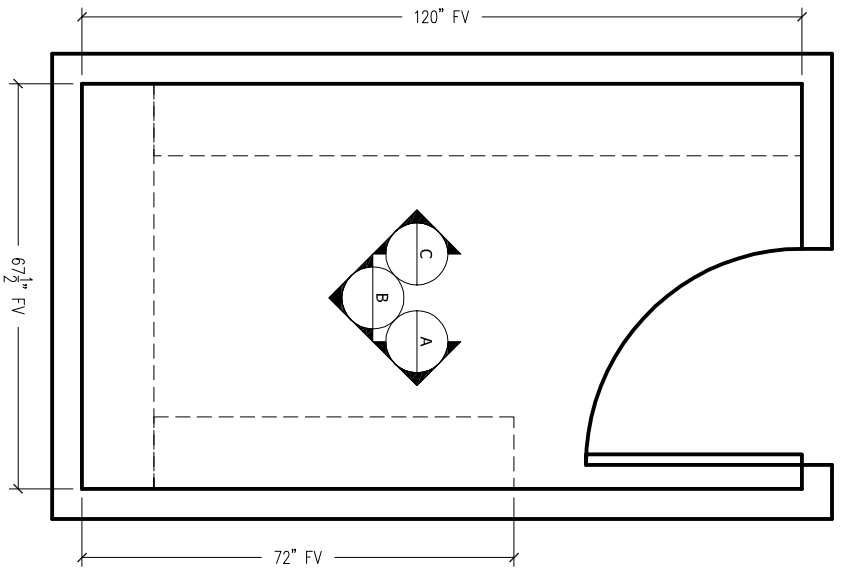
See Architects Drawings for Room Locations

Project:
Gahanna Primary Care
504 Havens Corner Rd
Blacklick, Ohio

Revisions:

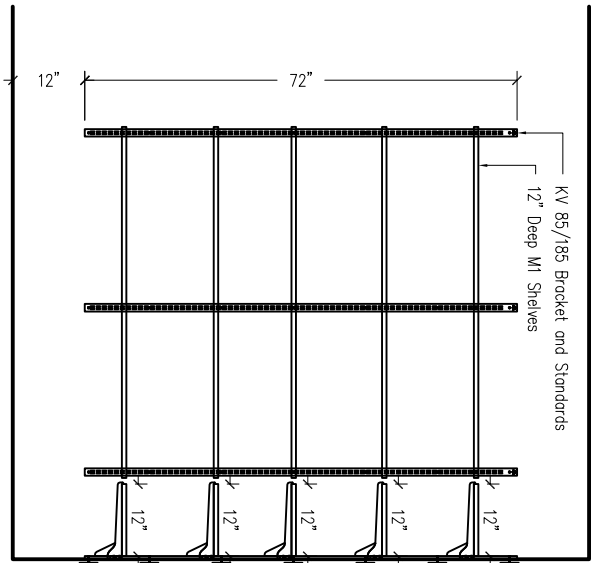
Drawn By: Shopdrawingz.com
Date: 04-14-2011
Scale: See Drawing
Elev: See Drawing
Room No: See Drawing
Page:

A11



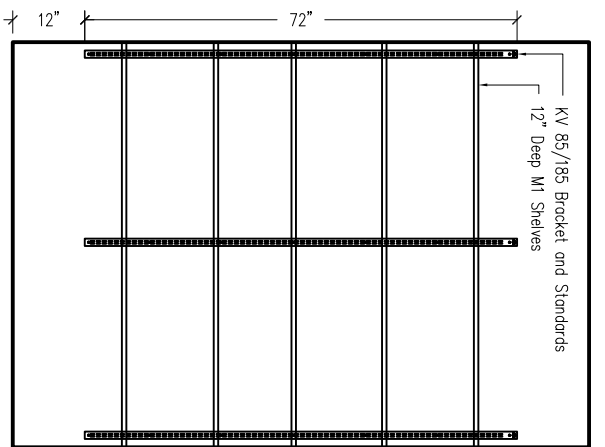
16 Supply 142

Arch Plan A1.01



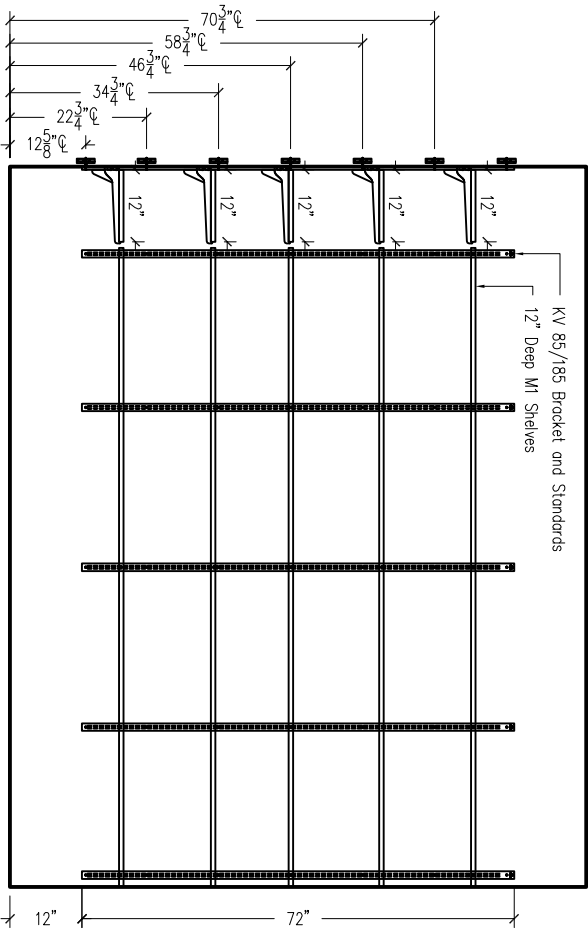
A Supply 142

Arch Plan A1.01



B Supply 142

Arch Plan A1.01



C Supply 142

Arch Plan A1.01

See Architects Drawings for Room Locations

Project:

Gahanna Primary Care
504 Havens Corner Rd
Blacklick, Ohio

Revisions:

Drawn By:
Shopdrawingz.com

Date:
04-14-2011

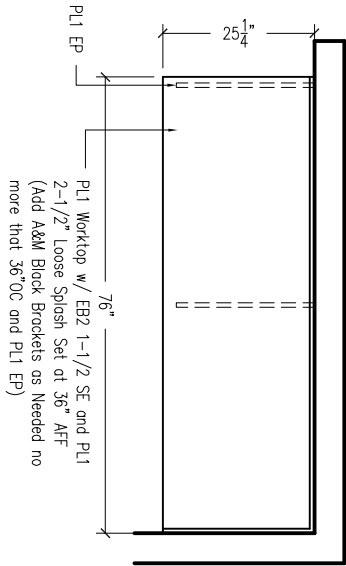
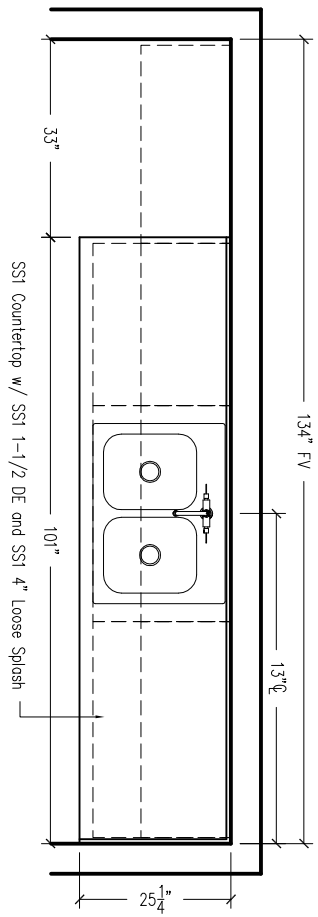
Scale:
See Drawing

Elev:
See Drawing

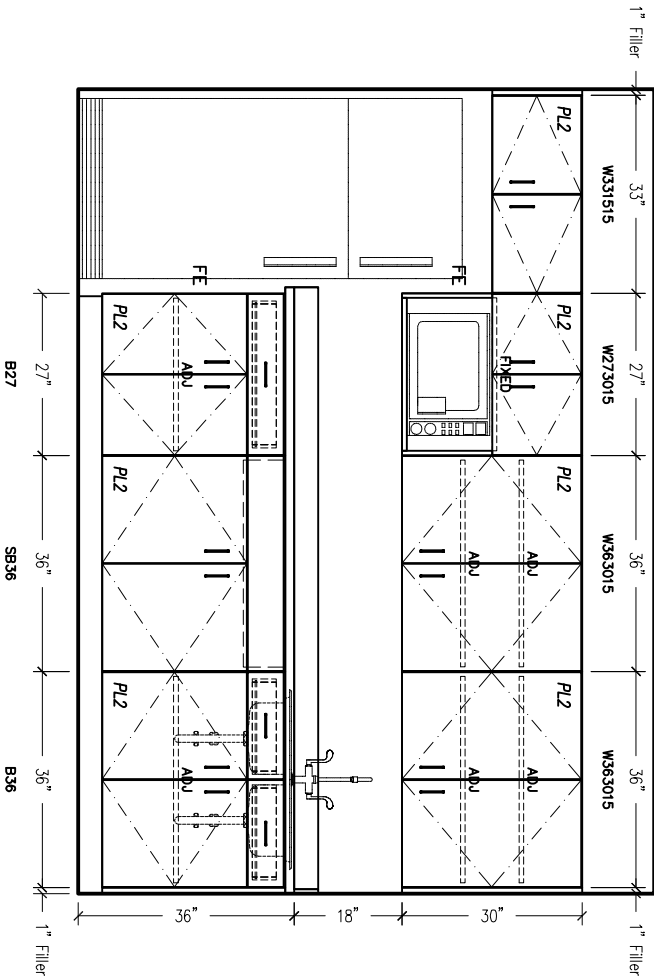
Room No:
See Drawing

Page:

A12



17 X-Ray 141 Arch Plan AL.01



18 Break 150 Arch Detail S/A1.04

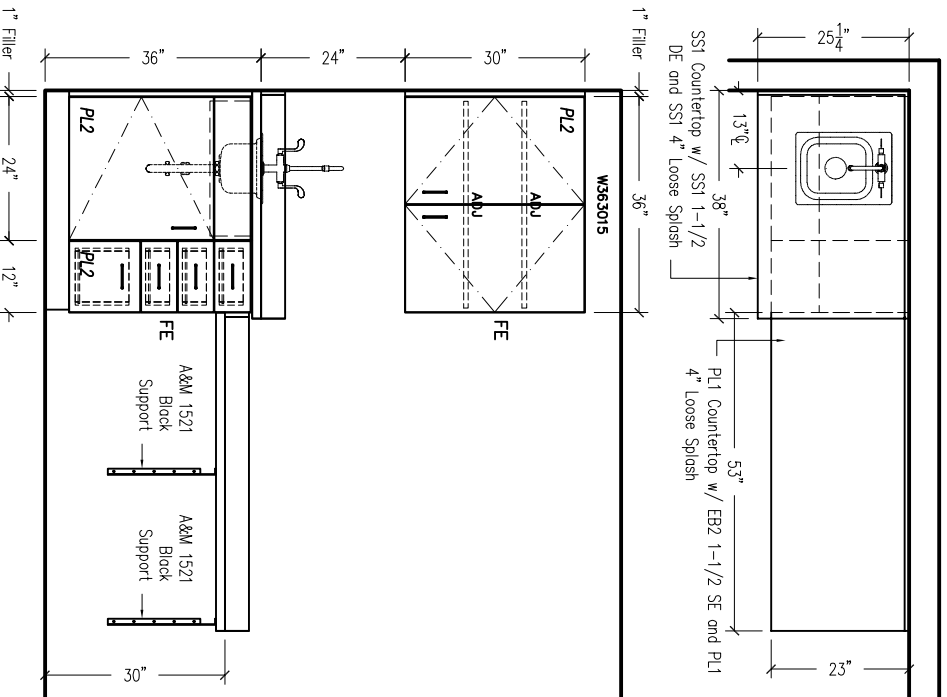
See Architects Drawings for Room Locations

Project:
Gahanna Primary Care
504 Havens Corner Rd
Blacklick, Ohio

Revisions:

Drawn By: Shopdrwngz.com
Date: 04-14-2011
Scale: See Drawing
Elev: See Drawing
Room No: See Drawing
Page:

A13



19 Exam 156
Arch Detail T/AL.04

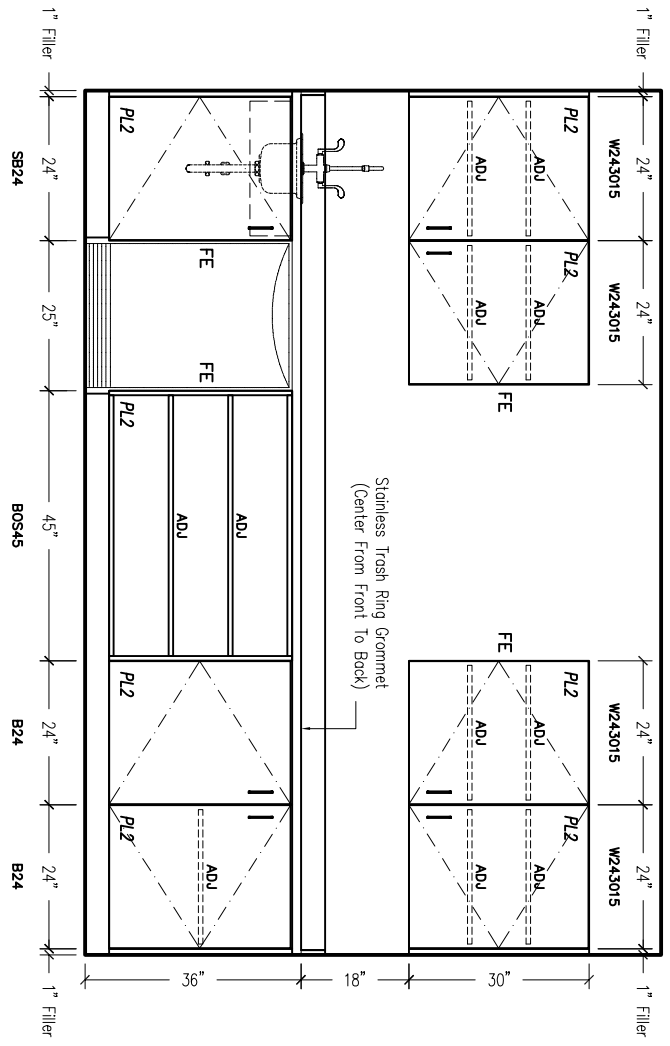
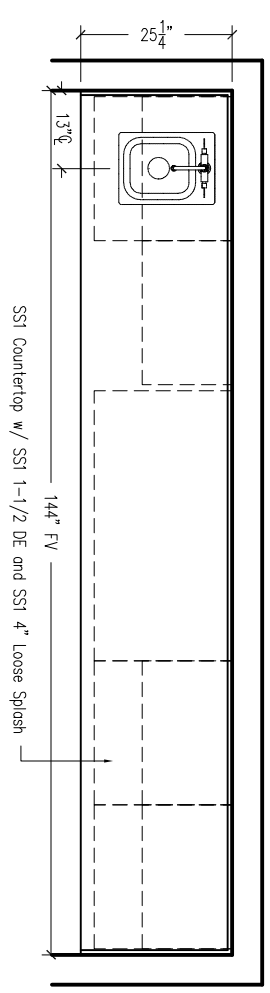
See Architects Drawings for Room Locations

Project:
Gahanna Primary Care
504 Havens Corner Rd
Blacklick, Ohio

Revisions:

Drawn By: Shopdrawingz.com
Date: 04-14-2011
Scale: See Drawing
Elev: See Drawing
Room No: See Drawing
Page:

A14



20 Waiting 157
Arch Detail U/A1.04

See Architects Drawings for Room Locations

Project:
Gahanna Primary Care
504 Havens Corner Rd
Blacklick, Ohio

Revisions:

Drawn By:
Shopdrwngz.com

Date:
04-14-2011

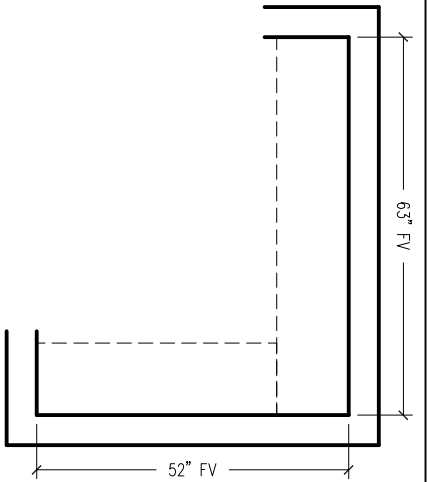
Scale:
See Drawing

Elev:
See Drawing

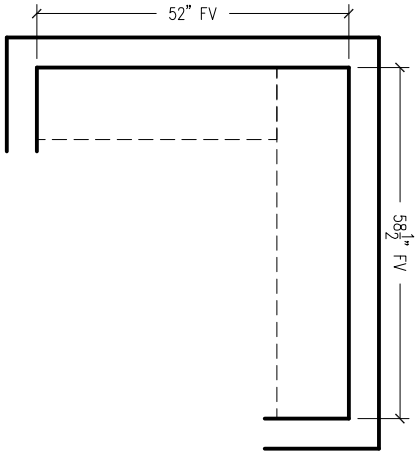
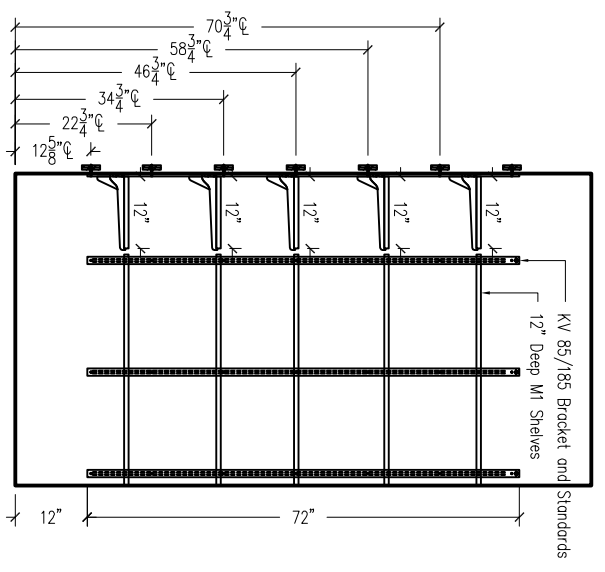
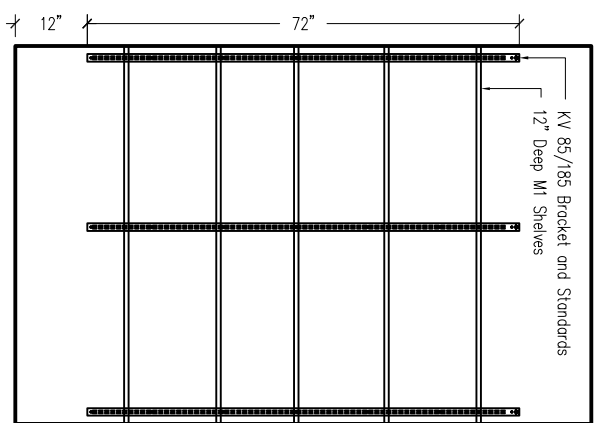
Room No:
See Drawing

Page:

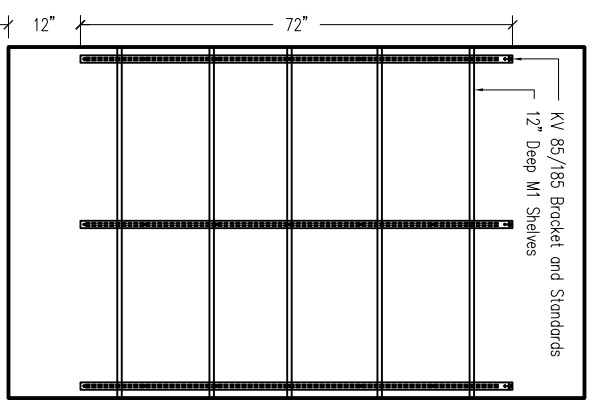
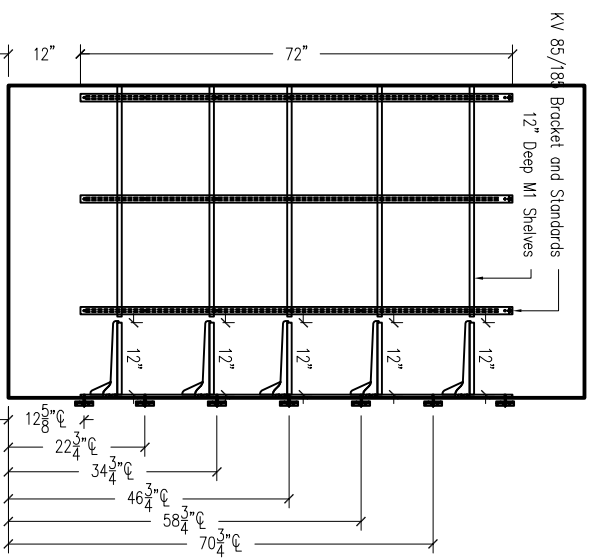
A15



21 Supply 153
Arch Plan A1.01



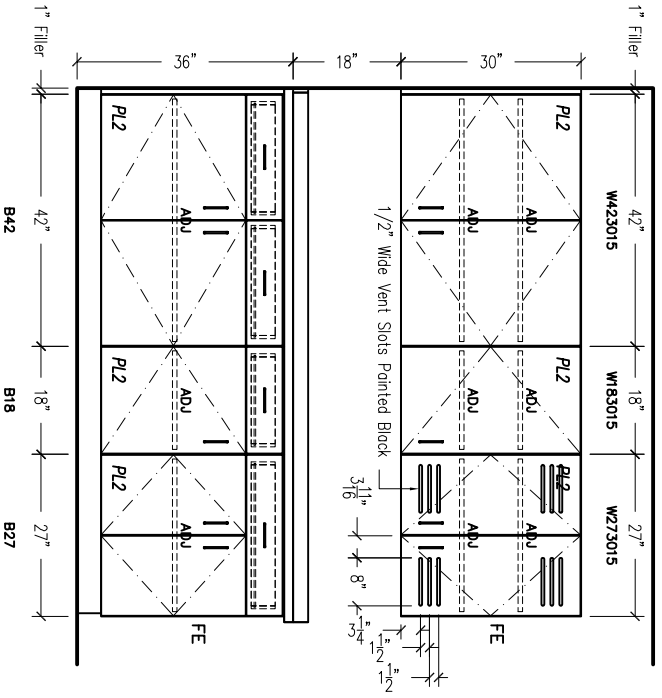
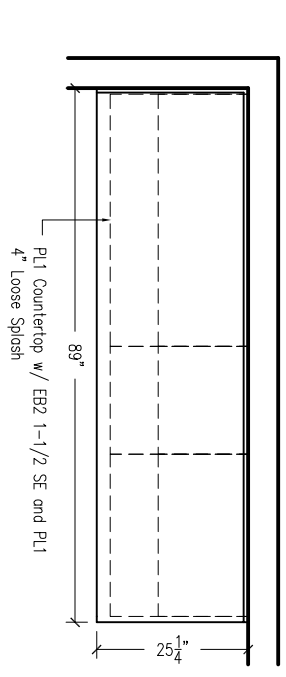
22 Supply 152
Arch Plan A1.01



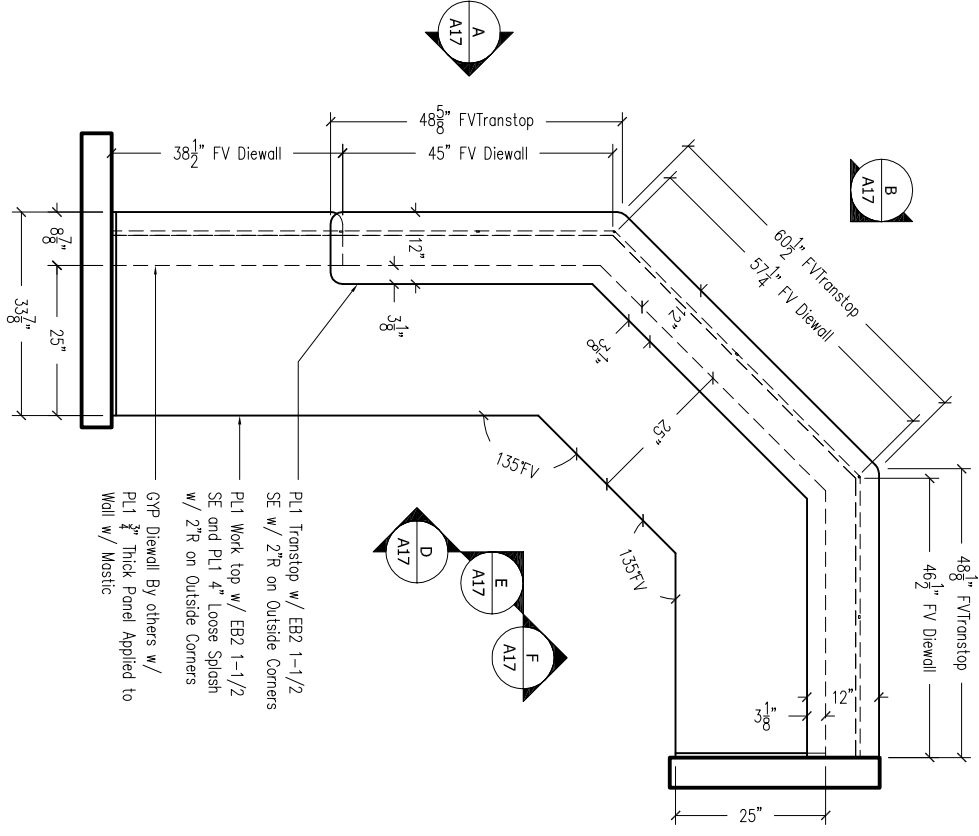
See Architects Drawings for Room Locations

Project:
Gahanna Primary Care
504 Havens Corner Rd
Blacklick, Ohio

Revisions:
Drawn By: Shopdrcwngzrk@gh
Date: 04-14-2011
Scale: See Drawing
Elev: See Drawing
Room No: See Drawing
Page:



23 Nurse 139
Arch Detail G/A1.04



24 Nurse 139
Arch Detail C.D.ES&F/A1.04

- PL1 Transstop w/ EB2 1-1/2 SE w/ 2\"/>
- PL1 Work top w/ EB2 1-1/2 SE and PL1 4\"/>
- w/ 2\"/>
- CYP Diawall By others w/ PL1 3/4\"/>
- W/ Mastic

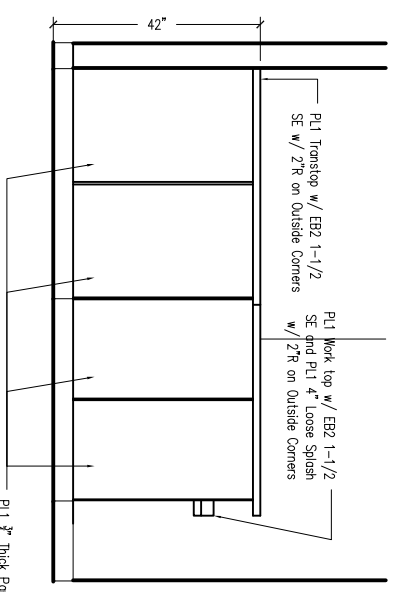
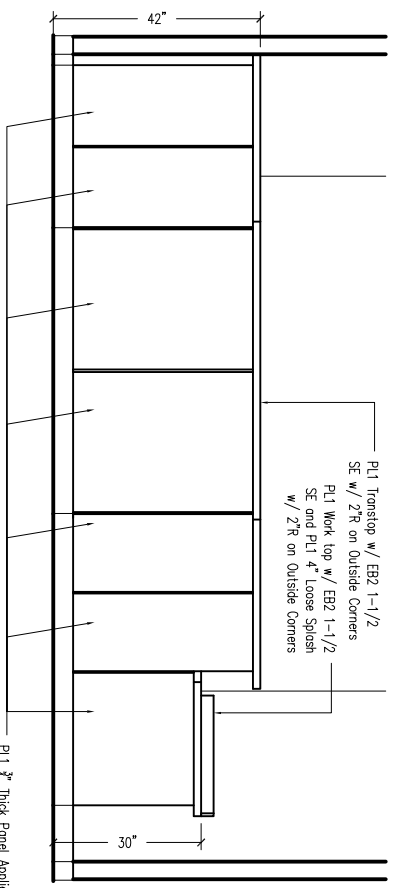
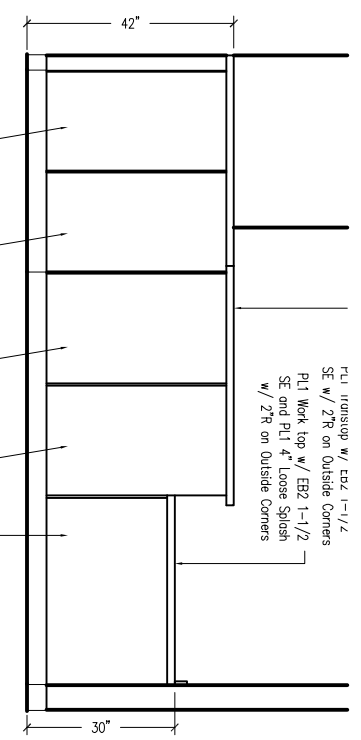
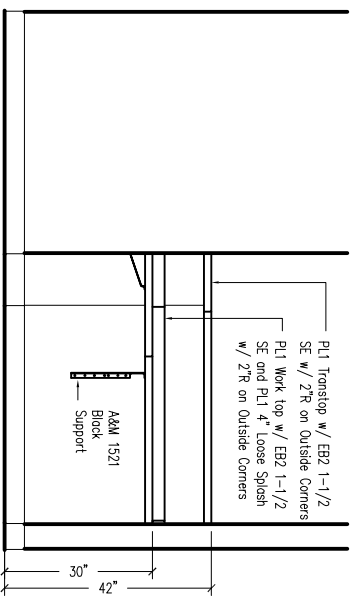
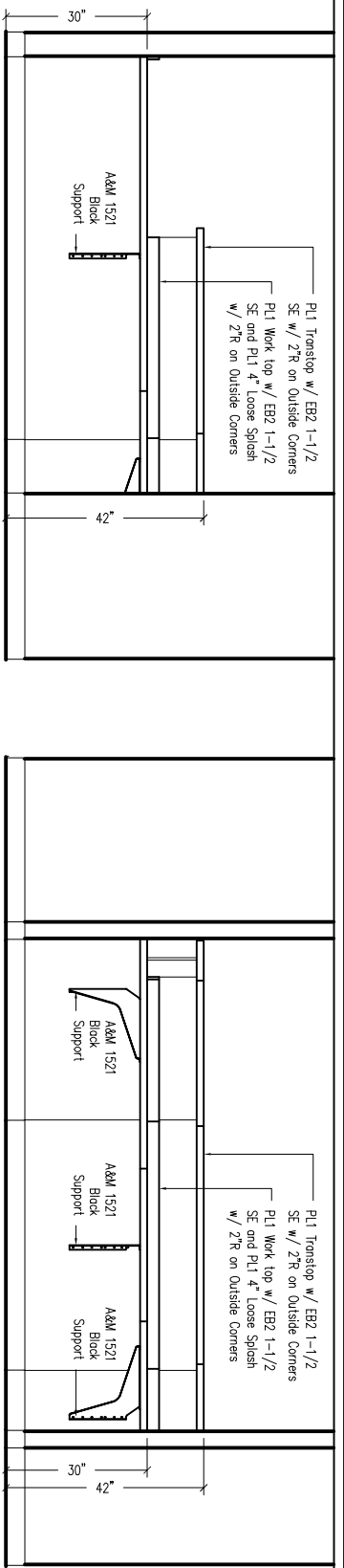
See Architects Drawings for Room Locations

Project:
Gahanna Primary Care
504 Havens Corner Rd
Blacklick, Ohio

Revisions:

Drawn By:	Shopdrwngz.com
Date:	04-14-2011
Scale:	See Drawing
Elev:	See Drawing
Room No:	See Drawing
Page:	See Drawing

A17



C Nurse 139
Arch Detail C.D.ESRF/AL04

D Nurse 139
Arch Detail C.D.ESRF/AL04

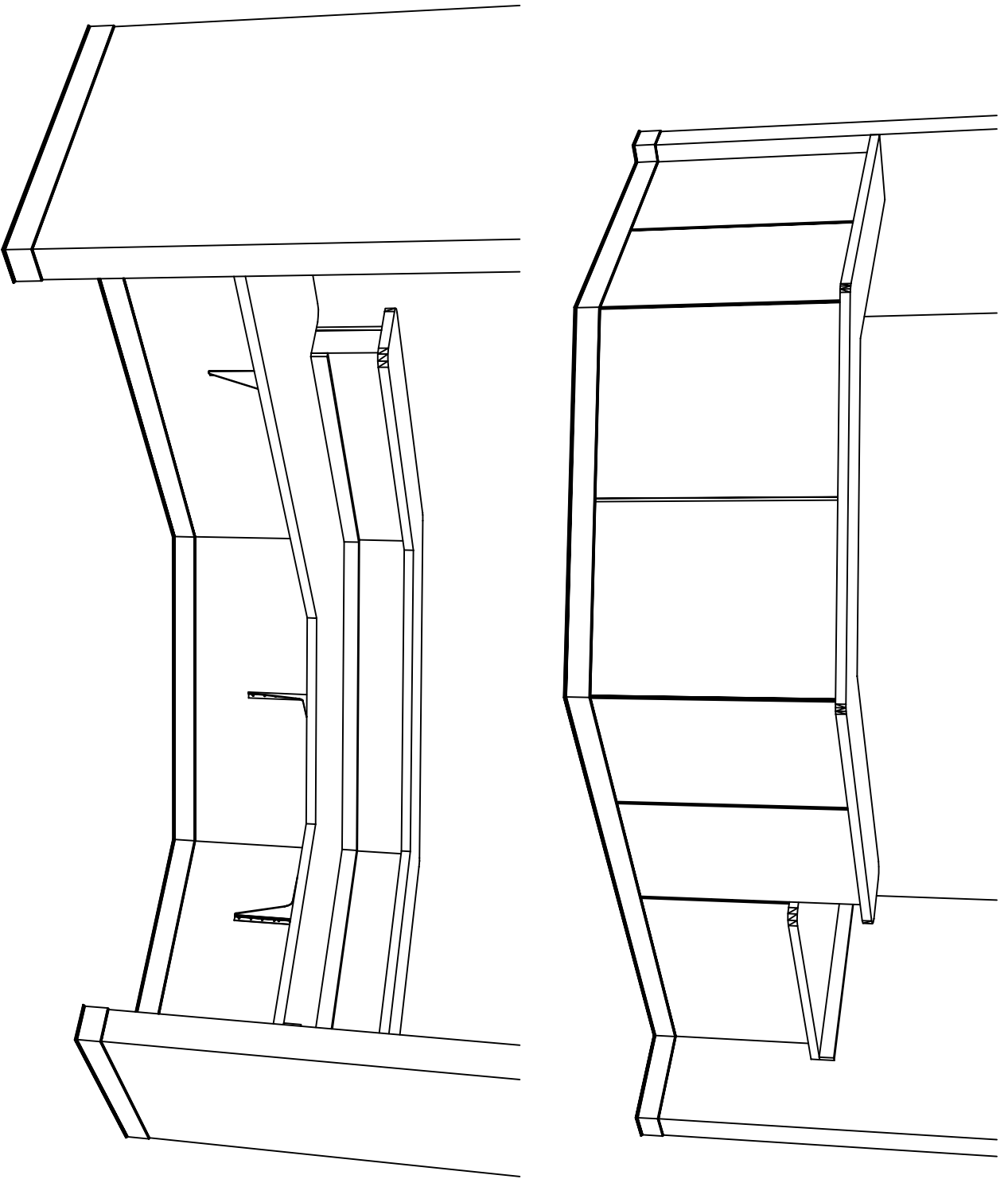
E Nurse 139
Arch Detail C.D.ESRF/AL04

F Nurse 139
Arch Detail C.D.ESRF/AL04

See Architects Drawings for Room Locations

Project:
Gahanna Primary Care
504 Havens Corner Rd
Blacklick, Ohio

Revisions:
Drawn By:
Shopdrawingz.com
Date:
04-14-2011
Scale:
See Drawing
Elev:
See Drawing
Room No:
See Drawing
Page:



See Architects Drawings for Room Locations

Project:

Gahanna Primary Care
504 Havens Corner Rd
Blacklick, Ohio

Revisions:

Drawn By:
Shopdrawingz.com

Date:
04-14-2011

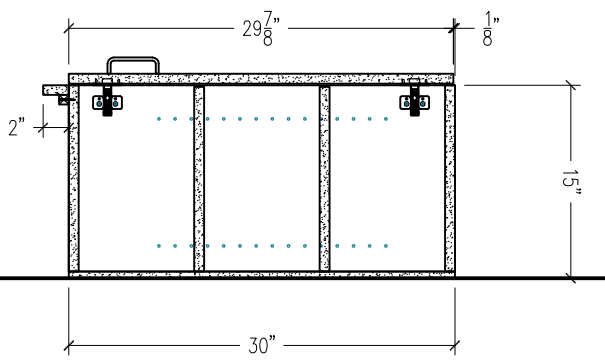
Scale:
See Drawing

Elev:
See Drawing

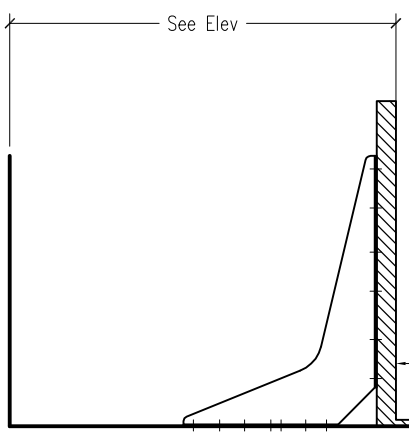
Room No:
See Drawing

Page:

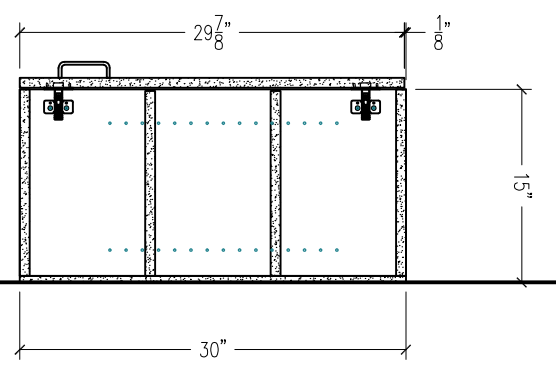
A19



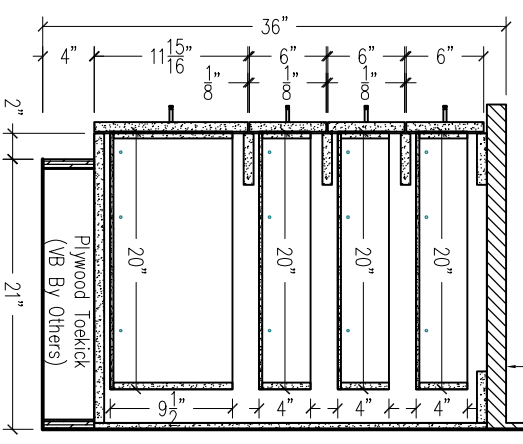
See Plan View For Top Type,
Depth and Splash Height



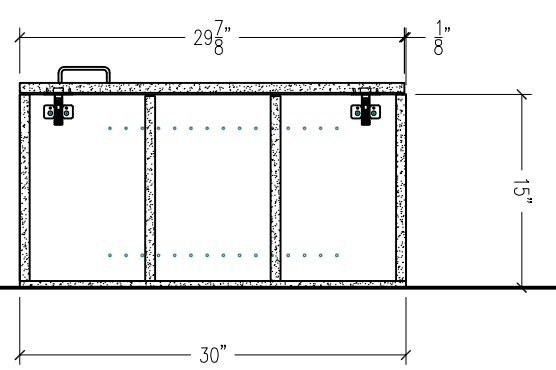
A Section View



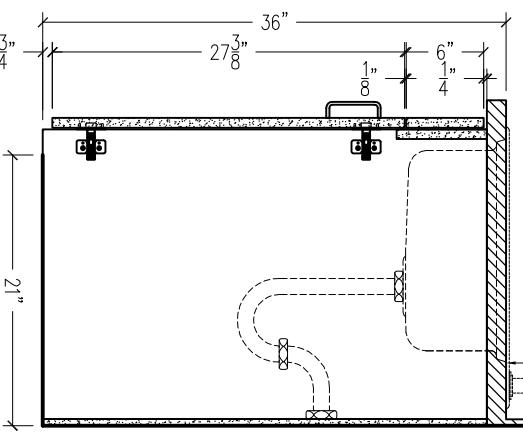
See Plan View For Top Type,
Depth and Splash Height



B Section View



See Plan View For Top Type,
Depth and Splash Height

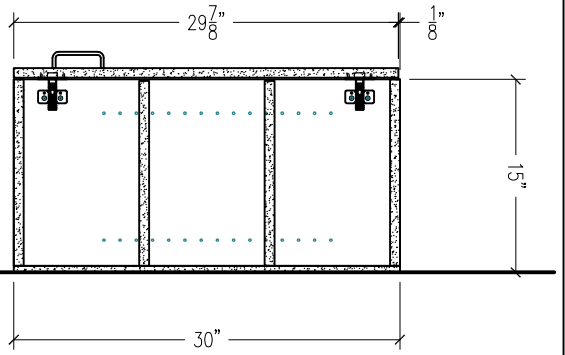


C Section View

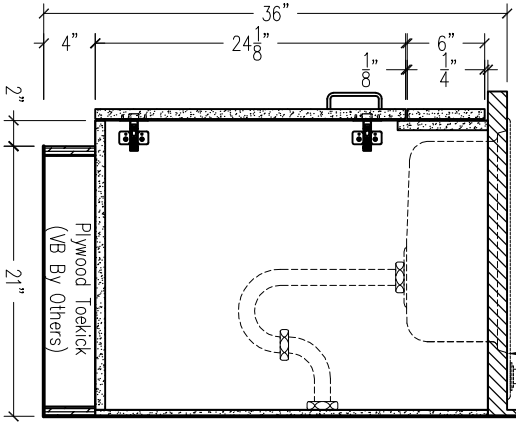
See Architects Drawings for Room Locations

Project:
Gahanna Primary Care
504 Havens Corner Rd
Blacklick, Ohio

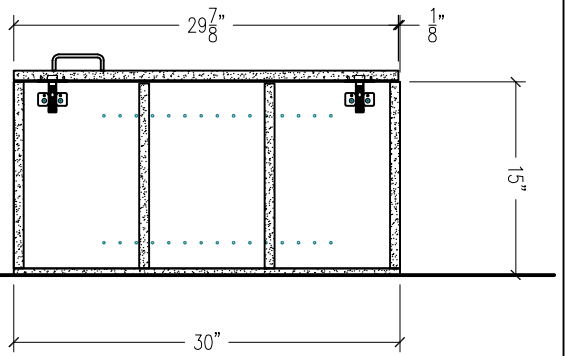
Revisions:
Drawn By: Shopdrawingz.com
Date: 04-14-2011
Scale: See Drawing
Elev: See Drawing
Room No: See Drawing
Page:



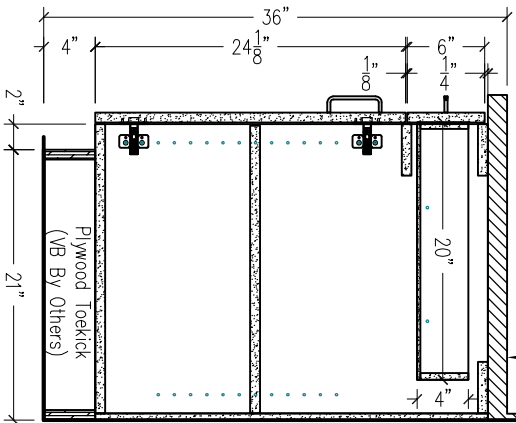
See Plan View For Top Type,
Depth and Splash Height



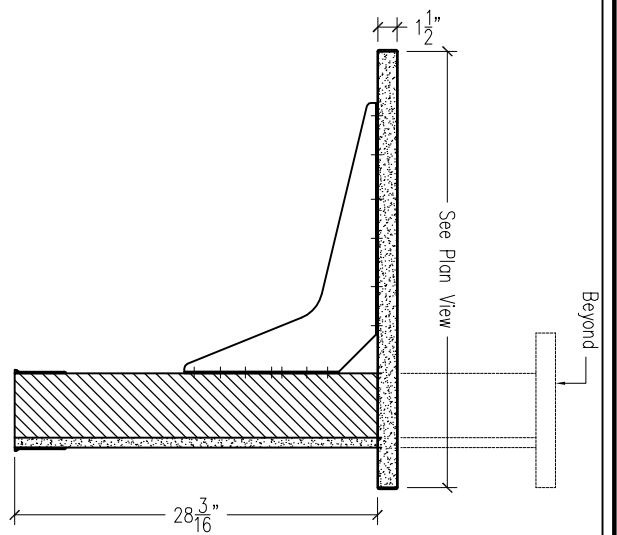
D Section View



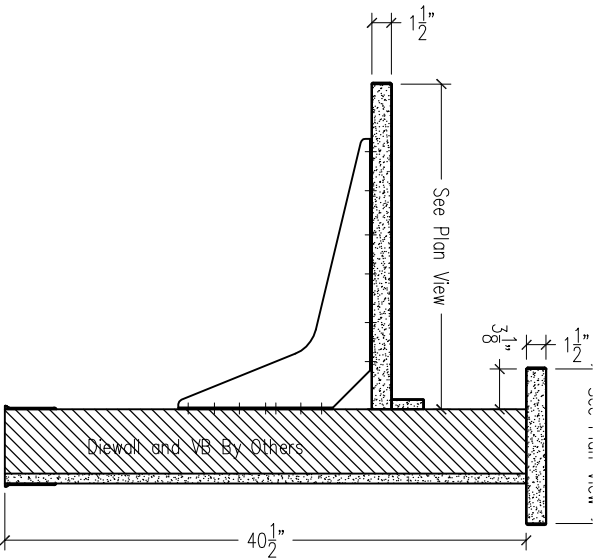
See Plan View For Top Type,
Depth and Splash Height



E Section View



F Receipt Section View

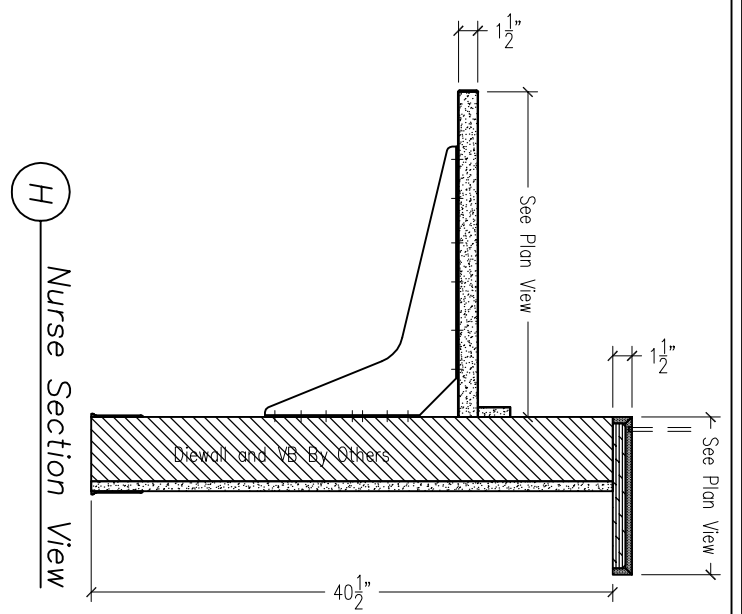


G Receipt Section View

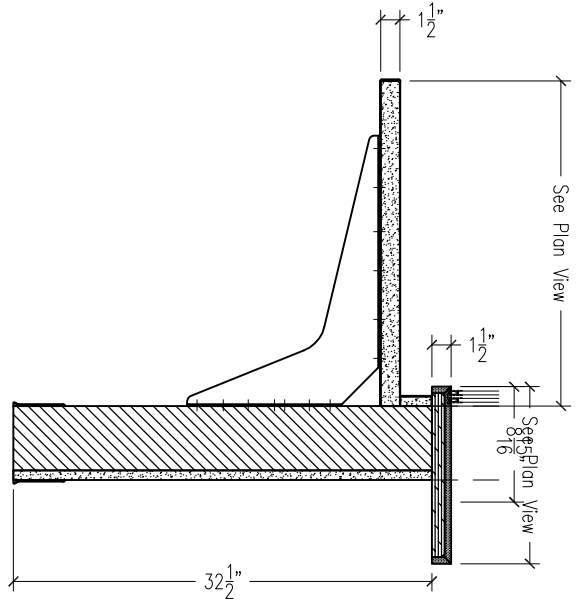
See Architects Drawings for Room Locations

Project:
Gahanna Primary Care
504 Havens Corner Rd
Blacklick, Ohio

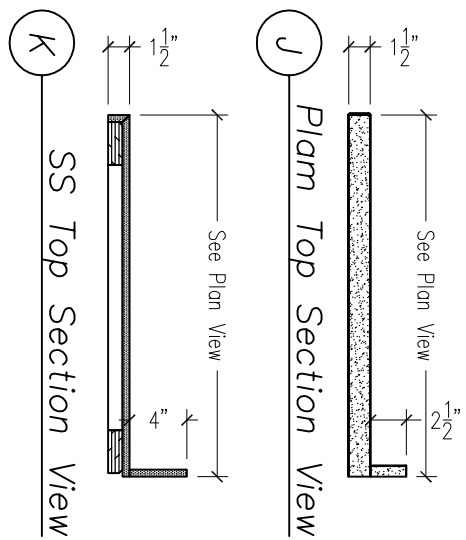
Revisions:
Drawn By: Shopdrawingz.com
Date: 04-14-2011
Scale: See Drawing
Elev: See Drawing
Room No: See Drawing
Page:



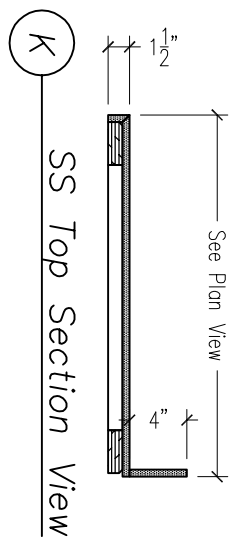
H Nurse Section View



I Nurse Section View



J Plam Top Section View



K SS Top Section View

See Architects Drawings for Room Locations

Project:
Gahanna Primary Care
 504 Havens Corner Rd
 Blacklick, Ohio

Revisions:
 Drawn By: Shopdrawingz.com
 Date: 04-14-2011
 Scale: See Drawing
 Elev: See Drawing
 Room No: See Drawing
 Page: